

## Blue Laser Diode

### Application

Industrial use / Biomedical

### Property

Wavelength  $\lambda = 405\text{nm}$

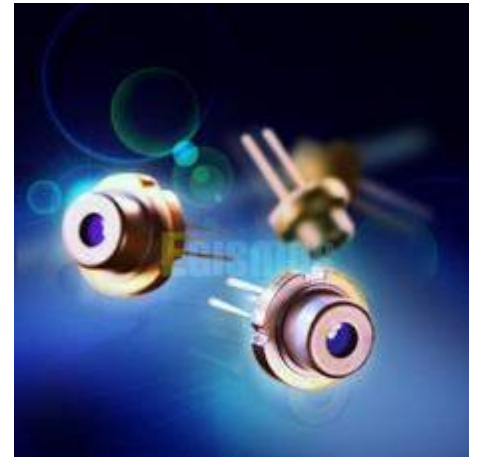
Output Power = 40mW

Package Type =  $\phi 5.6\text{mm}$

### Introduction

Egismos currently markets GaN based blue laser diodes 405nm, 450nm wavelengths range. The low operating current and high temperature of the laser diodes are achieved through using misoriented substrate and MQW (Strain compensated) active layer.

Egismos laser diodes are highly rated in a broad range of applications including, but not limited to, laser pointers, green lasers, blue laser DVD, laser barcode scanners, diode laser equipments, medical instruments and aerospace applications.

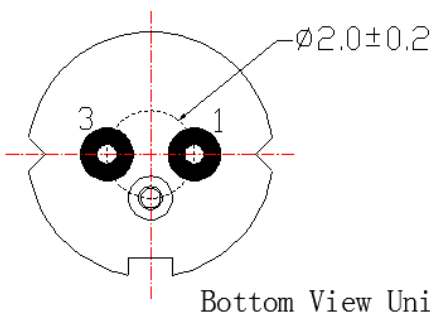
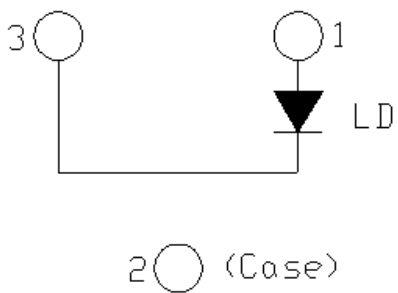


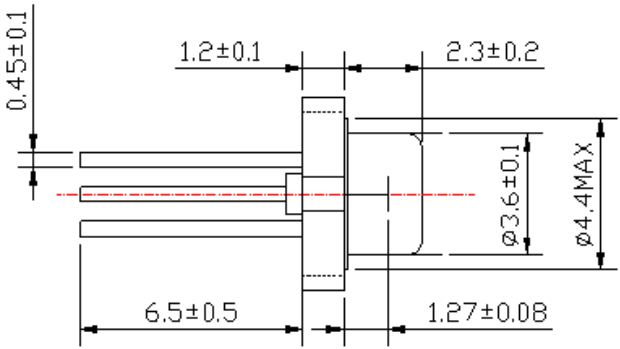
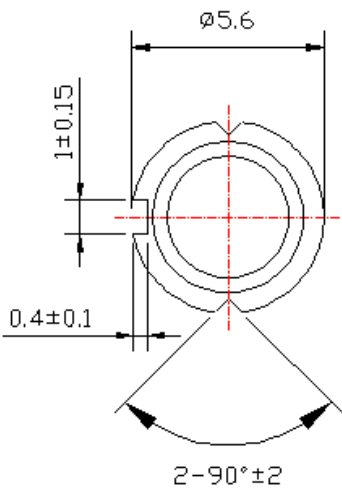
### Blue Laser Diode Key features

Absolute Maximum Rating at $T_c = -25^\circ\text{C}$			
Items	Symbols	Values	Unit
Optical Output Power	$P_o(\text{CW})$	40	mW
Reverse Voltage	$V_R$	2	V
Operating Temperature	$T_o$	0~+50	$^\circ\text{C}$
Storage Temperature	$T_s$	-40~+85	$^\circ\text{C}$

Electrical and Optical Characteristics at $T_c = -25^\circ\text{C}$						
Item	Symbols	Min	Typ.	Max.	Unit	Condition
Threshold Current	$I_{th}$	-	35	55	mA	-
Operating Current	$I_{OP}$	-	70	100	mA	$P_o = 40\text{mW}$
Operating Voltage	$V_{OP}$	-	5.2	5.7	V	$P_o = 40\text{mW}$
Peak Wavelength	$\lambda_p$	395	405	415	nm	$P_o = 40\text{mW}$

Beam Divergence (FWHM)	$\theta_{//}$	6	8	12	deg	Po=40mW
	$\theta_{\perp}$	16	19	23	deg	Po=40mW

<b>Electrical Connection(Bottom View)</b>	<b>Package Type</b>
 <p>Bottom View Unit (mm)</p>	

<b>Package Drawing</b>	
	

Specifications are subject to change without notice.

